

# OMNI-Directional UHF Antenna Systems

600 – 860 MHz, 15 kW rms

BAND V+

10 year GUARANTEE

## PRODUCT FEATURES

- Omni-directional
- Integrated mast section
- Suitable for top mounting
- Recommended solution for small DTT gapfiller stations
- Small size - low wind load
- Cost-efficient solution
- Full signal quality also in minimas
- Corrosion resistant
- Customising possibilities
- 10-year comprehensive guarantee

## PRODUCT PROFILE

Exir Broadcastings' new antenna system is a perfect solution for digital stations. Based on our new antenna panel designed for maximum voltage rather than maximum power, it is particularly well suited for use with digital, multi-channel systems. The antenna system is a complete solution with splitters, antenna panels and an integrated tower section. Panels are fed through an internal network. So with only one input connection it is easy to place the system on top of a mast, tower or building and to connect it to a feeder. This Band V antenna system is omni-directional with horizontal polarization and up to four tiers of three panels per tier. Maximum power of up to 15 kW and typical gain of up to 10 dBd.

This small, compact system is easy to place in crowded urban areas and on existing masts and towers, and offers an excellent solution for replacing older, larger systems having far greater wind load. Even in its largest configuration, this system is just 5 metres high, weighs only approximately 400 kg, and has very low wind load.

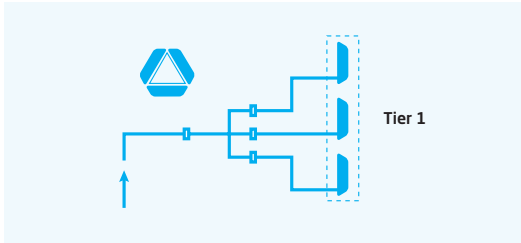


SYSTEM SPECIFICATIONS	
TYPICAL DATA	BAND V ANTENNA SYSTEM
FREQUENCY RANGE	600 - 860 MHz (Band V+)
BANDWIDTH	260 MHz
IMPEDANCE	50 Ohm
VSWR / RETURN LOSS	<1.1 / >26.4 dB
HORIZONTAL RADIATION PATTERN	Omni-directional
VERTICAL RADIATION PATTERN	Customised tilt and null fill
POLARISATION	Linear horizontal
MAX OPERATING TEMPERATURE	+55 °C full performance +80 °C reduced performance
WIND SPEED	< 55 m/s, full performance
COLOUR	Red and white panels (other on request)
STANDARD HEIGHT	5.0 m
CONNECTIONS	Single, 4 1/2" flange port



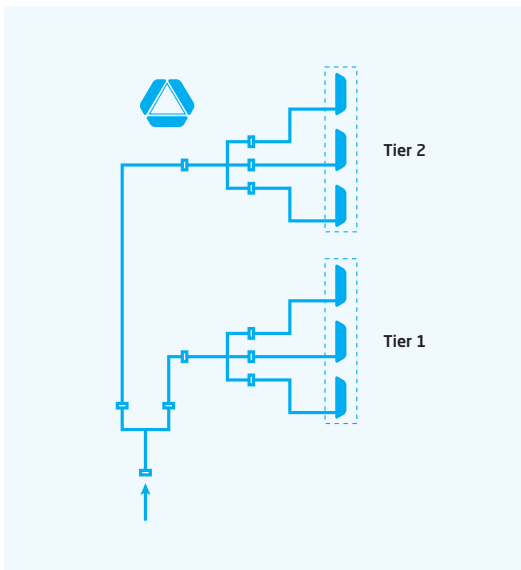
1-TIER WITH 3 PANELS

TYPICAL DATA	ANT4-SYST-BA00
MAX INPUT POWER	3.6 kW rms, 6 kW peak sync
PEAK GAIN	4 dBd
COVERAGE*	23 km
COMBINED TIER HEIGHT	~1.0 m
SYSTEM COMPONENTS	3 antenna panels, tower section, cables, connectors, one 3-port splitter



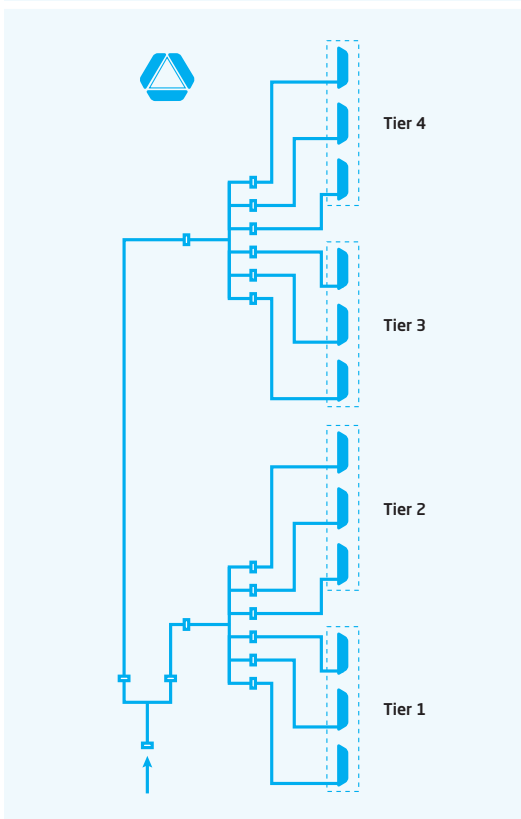
2-TIER WITH 6 PANELS

TYPICAL DATA	ANT4-SYST-BB00
MAX INPUT POWER	7.5 kW rms, 12 kW peak sync
PEAK GAIN	7 dBd
COVERAGE*	30 km
COMBINED TIER HEIGHT	~2.0 m
SYSTEM COMPONENTS	6 antenna panels, tower section, cables, connectors, two 3-port splitters, one 2-way splitter



4-TIER WITH 12 PANELS

TYPICAL DATA	ANT4-SYST-BC00
MAX INPUT POWER	15 kW rms, 24 kW peak sync
PEAK GAIN	10 dBd
COVERAGE*	39 km
COMBINED TIER HEIGHT	~4.0 m
SYSTEM COMPONENTS	12 antenna panels, tower section, cables, connectors, two 6-port splitters, one 2-way splitter



\* Approximate coverage at antenna height of 50 m calculated according to CCIR 50-50 with 55 dBμV/m field strength and full digital power.