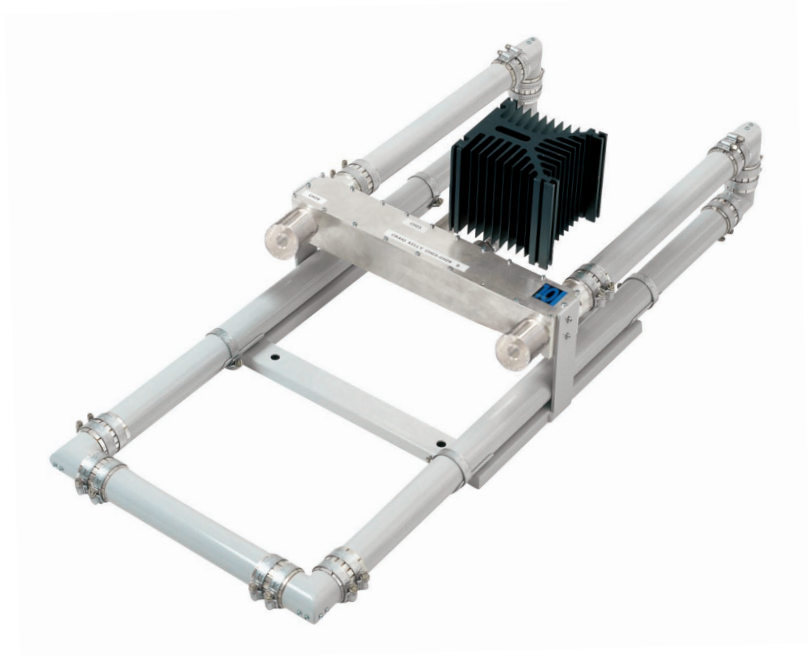


UHF Stretch Line Combiner

2 x 3 kW rms

BAND IV-V

10
year
GUARANTEE



PRODUCT FEATURES

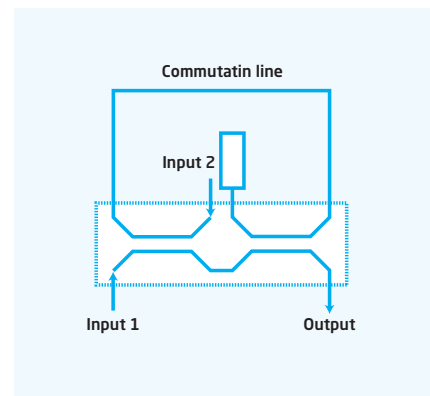
- High isolation
- Low insertion loss
- Low return loss
- Cost-effective solution
- Easy retuning to most channels
- 10-year comprehensive warranty

PRODUCT PROFILE

Exir Broadcasting Stretch Line combiners are very dependable and provide a cost-effective alternative for combining without the use of proper bandpass filters.

Below data is typical. Available for 6, 7 and 8 MHz channels.

All average power values and technical data refer to an ambient temperature of +20-25 °C with normal air flow. The product will have a maximum surface temperature of +60 °C. Maximum power capacity may be lower depending on channel allocation.



ARTICLE	COM4-0STL-A013	COM4-0STL-A016
	Channel space up to 9 channels	Channel space more than 9 channels
FREQUENCY	470 - 860 MHz	470 - 860 MHz
MAXIMUM OUTPUT POWER	6 kW rms	6 kW rms
MAXIMUM INPUT POWER	2 x 3 kW rms	2 x 3 kW rms
IMPEDANCE	50 Ohm	50 Ohm
VSWR	<1.05 (>32 dB)	<1.05 (>32 dB)
INSERTION LOSS	>4 channels space; <0.3 dB 3 channels space; <0.5 dB	>9 channels space; <0.2 dB
ISOLATION	>36 dB	>36 dB
MINIMUM CHANNEL SPACING	3 channels	9 channels
STANDARD CONNECTION	1 5/8" unflange	1 5/8" unflange
OPTIONAL CONNECTIONS	7/8" flange or 7/16 f/m	7/8" flange or 7/16 f/m
DIMENSIONS AND WEIGHT		
DIMENSIONS	max 2000 x 460 x 670 mm (79 x 18 x 26.4 in)	max 700 x 460 x 670 mm (27.6 x 18 x 26.4 in)
WEIGHT	~40 kg (88.2 lb)	~40 kg (88.2 lb)