

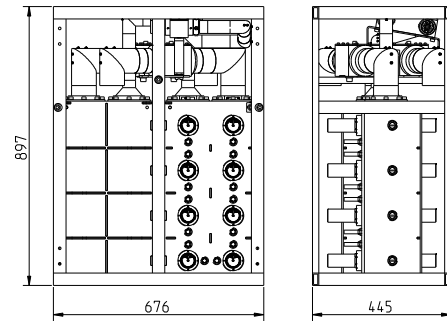
UHF Constance Impedance Combiner

5.4 kW rms, 8 Pole

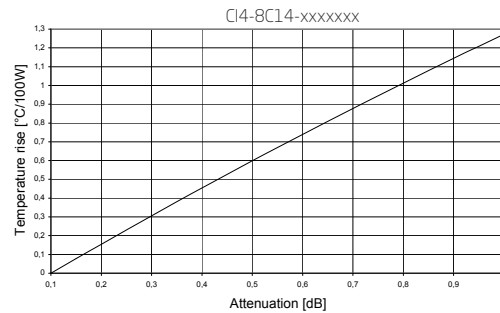
BAND IV-V



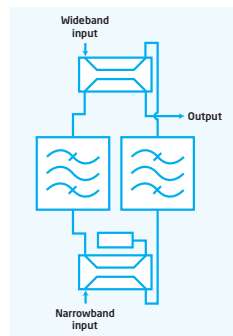
SPECIFICATIONS	140 mm Series
FREQUENCY	470 - 862 MHz
BANDWIDTH	6 - 8 MHz
STANDARD ORDER	8 Poles with single cross coupling
OPTIONAL ORDER	8 Poles without cross coupling, with double cross coupling
APPLICATION	Adjacent Ch combining
ATV	Spurious supress
DVB	Critical mask
ATSC	Stringent mask
ISDB	Critical mask
IMPEDANCE	50 Ohm
NB RETURN LOSS (VSWR)	>26 dB (<1.11)
WB RETURN LOSS (VSWR)	>30 dB (<1.07), 2 specified channels
MAX OUTPUT POWER RATING	15 kW rms
NB INPUT CONNECTOR	1 5/8" unflange
WB STANDARD INPUT CONNECTOR	3 1/8" unflange
WB OPTIONAL INPUT CONNECTOR	1 5/8" unflange
STANDARD OUTPUT CONNECTOR	3 1/8" unflange
OPTIONAL OUTPUT CONNECTOR	1 5/8" unflange
TEMPERATURE STABILITY	< 2 kHz / °C
MAX PRODUCT TEMPERATURE	70 °C
ENVIROMENTAL CONDITION	-5 to 70 °C IP40



Temperature rise / Avg. attenuation



DIMENSIONS AND WEIGHT	
DIMENSIONS	676 x 445 x 897 mm
L x W x H	(26.6 x 17.5 x 35.3 in)
WEIGHT	110 kg (242.5 lb)
STANDARD FRAME	Stand alone
COLOUR	Black and aluminium



ARTICLE: CI4-8C14-1NBC133

- CI** = Combiner type
- 4** = Frequency band
- 8** = Number of poles
- C** = Cavity based
- 14** = Cavity size
- 1** = Number of cross coupling
- N** = Coating
- B** = Narrowband coupler
- C** = Wideband coupler
- 1** = Narrowband connection
- 3** = Wideband connection
- 3** = Output connection

TYPICAL DATA*	8 MHz DVB-T	6 MHz ISDB-T	6 MHz ATSC
ARTICLE NO	CI4-8C14-1NBC133	CI4-8C14-1NBC133	CI4-8C14-1NBC133
NB INSERTION LOSS			
Avg. signal bandwidth	<0.59 dB	<0.72 dB	<0.58 dB
Centre frequency	<0.47 dB	<0.59 dB	<0.53 dB
Signal band edge	± 3.8 MHz <1.50 dB	± 2.79 MHz <1.46 dB	± 2.69 MHz <0.73 dB
	± 4.2 MHz >15 dB	± 3.15 MHz >15 dB	± 3.5 MHz >1.30 dB
	± 6.0 MHz >26 dB	± 4.5 MHz >31 dB	± 6.0 MHz >29 dB
	± 12.0 MHz >51 dB	± 9.0 MHz >61 dB	± 9.0 MHz >63 dB
WB INSERTION LOSS			
	± 24 MHz <0.10 dB	± 18 MHz <0.10 dB	± 18 MHz <0.10 dB
	± 16 MHz <0.10 dB	± 12 MHz <0.10 dB	± 12 MHz <0.10 dB
	± 8.0 MHz <0.20 dB	± 6 MHz <0.20 dB	± 6 MHz <0.20 dB
ISOLATION			
NARROWBAND - WIDEBAND	>36 dB	>36 dB	>36 dB
WIDEBAND - NARROWBAND @			
	± 4.2 MHz >36 dB	± 3.21 MHz >36 dB	± 3.31 MHz >36 dB
	± 8.0 MHz >80 dB	± 6 MHz >80 dB	± 6 MHz >75 dB
	± 16 MHz >115 dB	± 12 MHz >115 dB	± 12 MHz >110 dB
	± 24 MHz >135 dB	± 18 MHz >135 dB	± 18 MHz >130 dB
NB GROUP DELAY VARIATION	<540 ns	<470 ns	<105 ns
NB MAX INPUT POWER RATING**	5.4 kW / 13 dB (crest factor)	4.4 kW / 13 dB (crest factor)	5.6 kW / 11 dB (crest factor)
TEMPERATURE RISE	<0.7 °C / 100 W	<0.9 °C / 100 W	<0.7 °C / 100 W
MASK COMPLIANT	Critical mask	Critical mask	Stringent mask

* Data in table is typical data at 666 MHz. To fulfil mask transmitter shoulder level must be >36 dB. The combiner can be tuned for other specifications or bandwidth. Please contact us for a designed specification.
 ** Max power rating at <50 °C temprice at max frequency.