

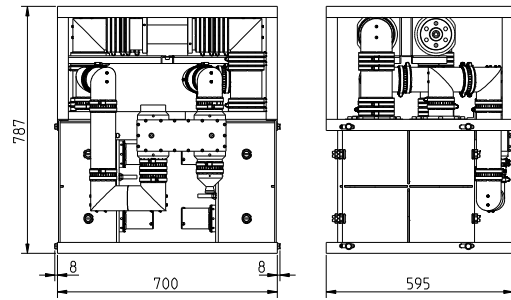
UHF Constance Impedance Combiner

10 kW rms, 4 Pole

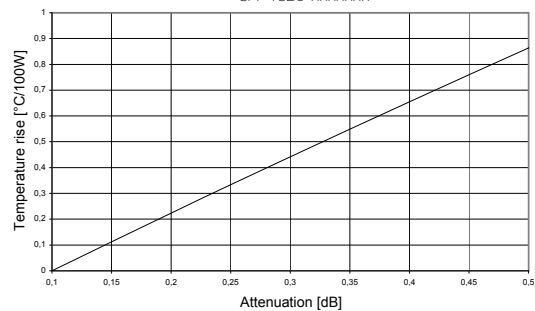
BAND IV-V



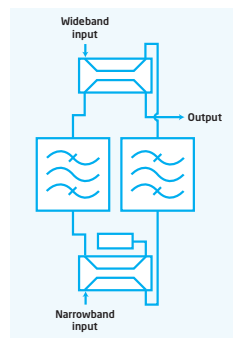
SPECIFICATIONS	200 mm Series
FREQUENCY	470 - 862 MHz
BANDWIDTH	6 - 8 MHz
STANDARD ORDER	4 Poles
OPTIONAL ORDER	4 Poles single cross coupling
APPLICATION	One guard Ch combining
ATV	Spurious suppress
DVB	Spurious suppress
ATSC	Non stringent mask
ISDB	Spurious suppress
IMPEDANCE	50 Ohm
NB RETURN LOSS (VSWR)	>26 dB (<1.11)
WB RETURN LOSS (VSWR)	>30 dB (<1.07), 2 specified channels
MAX OUTPUT POWER RATING	36 kW rms
NB INPUT CONNECTOR	3 1/8" unflange
WB STANDARD INPUT CONNECTOR	NAX120
WB OPTIONAL INPUT CONNECTORS	3 1/8" unflange, RL98 unflange
STANDARD OUTPUT CONNECTOR	NAX120
OPTIONAL OUTPUT CONNECTORS	3 1/8" unflange, RL98 unflange
TEMPERATURE STABILITY	< 2 kHz / °C
MAX PRODUCT TEMPERATURE	70 °C
ENVIROMENTAL CONDITION	-5 to 70 °C IP40



Temperature rise / Avg. attenuation
CI4-4C20-xxxxxxx



DIMENSIONS AND WEIGHT	
DIMENSIONS	716 x 595 x 787 mm
L x W x H	(28.2 x 23.4 x 31 in)
WEIGHT	110 kg (242.5 lb)
FRAME	Stand alone
COLOUR	Black and aluminium



ARTICLE: CI4-4C20-0PCE322

- CI** = Combiner type
- 4** = Frequency band
- 4** = Number of poles
- C** = Cavity based
- 20** = Cavity size
- 0** = Number of cross coupling
- P** = Coating
- C** = Narrowband coupler
- E** = Wideband coupler
- 3** = Narrowband connection
- 2** = Wideband connection
- 2** = Output connection

TYPICAL DATA*	8 MHz DVB-T	6 MHz ISDB-T	6 MHz ATSC
ARTICLE NO	CI4-4C20-0PCE322	CI4-4C20-0PCE322	CI4-4C20-0PCE322
NB INSERTION LOSS			
Avg. signal bandwidth	<0.26 dB	<0.31 dB	<0.29 dB
Centre frequency	<0.26 dB	<0.31 dB	<0.29 dB
Signal band edge	± 3.8 MHz <0.29 dB ± 4.2 MHz >0.33 dB ± 6.0 MHz >3.60 dB ± 12.0 MHz >28.10 dB	± 2.79 MHz <0.34 dB ± 3.15 MHz >0.40 dB ± 4.5 MHz >3.60 dB ± 9.0 MHz >28.10 dB	± 2.69 MHz <0.31 dB ± 3.5 MHz >0.34 dB ± 6.0 MHz >6.10 dB ± 9.0 MHz >24.10 dB
WB INSERTION LOSS			
	± 24 MHz <0.10 dB ± 16 MHz <0.10 dB ± 8.0 MHz <0.40 dB	± 18 MHz <0.10 dB ± 12 MHz <0.10 dB ± 6 MHz <0.45 dB	± 18 MHz <0.10 dB ± 12 MHz <0.10 dB ± 6 MHz <0.70 dB
ISOLATION			
NARROWBAND - WIDEBAND	>36 dB	>36 dB	>36 dB
WIDEBAND - NARROWBAND @	± 4.2 MHz >36 dB ± 8.0 MHz >45 dB ± 16 MHz >70 dB ± 24 MHz >85 dB	± 3.21 MHz >36 dB ± 6 MHz >45 dB ± 12 MHz >70 dB ± 18 MHz >85 dB	± 3.31 MHz >36 dB ± 6 MHz >40 dB ± 12 MHz >65 dB ± 18 MHz >80 dB
NB GROUP DELAY VARIATION	<25 ns	<30 ns	<15 ns
NB MAX INPUT POWER RATING**	10 kW / 13 dB (crest factor)	8.4 kW / 13 dB (crest factor)	9.4 kW / 11 dB (crest factor)
TEMPERATURE RISE	<0.4 °C / 100 W	<0.5 °C / 100 W	<0.4 °C / 100 W
MASK COMPLIANT	Spurious suppress	Spurious suppress	Non stringent mask

* Data in table is typical data at 666 MHz. To fulfil mask transmitter shoulder level must be >36 dB. The combiner can be tuned for other specifications or bandwidth. Please contact us for a designed specification.
** Max power rating at <50 °C temp at max frequency.