

# UHF Constant Impedance Combiner

BAND IV-V

10 year GUARANTEE

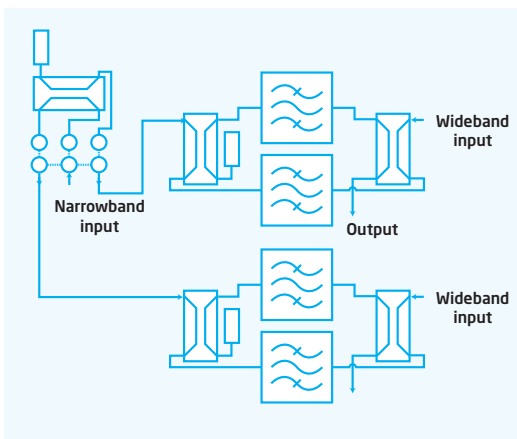
Dual Digital/Analogue, 30 kW rms, 6 Cavities

## PRODUCT FEATURES

- Extremely stable
- 6 port U-link with splitter included
- Combiner and mask filtering in the same unit
- High isolation
- Low insertion loss
- Dry loads
- Convection cooling
- Available with temperature compensation
- 10-year comprehensive warranty

## PRODUCT PROFILE

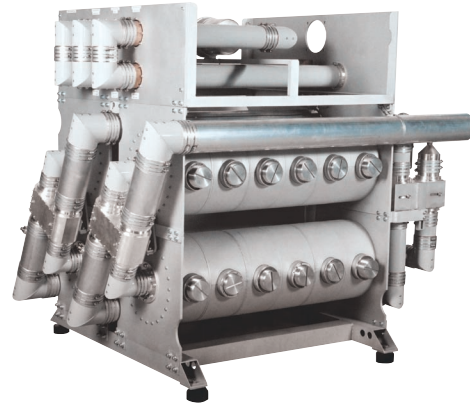
Waveguide single mode filters employ all the advantages of low losses and high rejection characteristics to provide non-adjacent channel combining and mask filtering in the same assembly. Suitable for input digital powers up to 30 kW. These versatile units have become the one of our most popular filter/combiner combinations.



Data in table is typical according to a standard tuned 8 MHz channel bandwidth. The combiner can be tuned for other specifications or bandwidths, please contact us for a specification designed for your requirements.

All average power values and technical data refer to an ambient temperature of +20-25 °C with normal air flow. The product will have a maximum surface temperature of +60 °C. Maximum power capacity may be lower depending on channel allocation. The maximum output power is specified at 600 MHz.

\* Maximum output power with optional output connector NAX120 unflange is 36 kW rms.



ARTICLE	COM4-6CWG-A002
FREQUENCY	470 - 860 MHz
IMPEDANCE	50 Ohm

NARROWBAND INPUT	
MAX INPUT POWER	30 kW rms
INPUT VSWR	<1.1 (>26 dB)
INPUT CONNECTOR	RL98 unflange
INSERTION LOSS	
Centre frequency	<0.2 dB
±3.8 MHz	<0.4 dB
±4.2 MHz	>1.8 dB
±6.0 MHz	>24 dB
±12.0 MHz	>64 dB

WIDEBAND INPUT	
INPUT VSWR	<1.05 (>32 dB), 2 specified channels
STANDARD INPUT CONNECTOR	RL98 unflange
OPTIONAL INPUT CONNECTOR	NAX120 unflange
INSERTION LOSS	
±24 MHz	0.05 dB
±16 MHz	0.05 dB
±8 MHz	0.1 dB

ISOLATION AND CHANNEL SPACING	
NARROWBAND - WIDEBAND	
>36 dB	
WIDEBAND - NARROWBAND	
±8 MHz from narrowband Cf	<60 dB
±24 MHz from narrowband Cf	<80 dB
MINIMUM CHANNEL SPACING	
1 free channel	

OUTPUT	
MAXIMUM OUTPUT POWER	2 x 30 kW rms*
STANDARD OUTPUT CONNECTOR	RL98 unflange
OPTIONAL OUTPUT CONNECTOR	NAX120 unflange

DIMENSIONS AND WEIGHT	
DIMENSIONS	
1688 x 1240 x 1510 mm acc. to channel	
(66.5 x 48.8 x 59.5 in) acc. to channel	
WEIGHT	
~525kg (1157 lb)	